

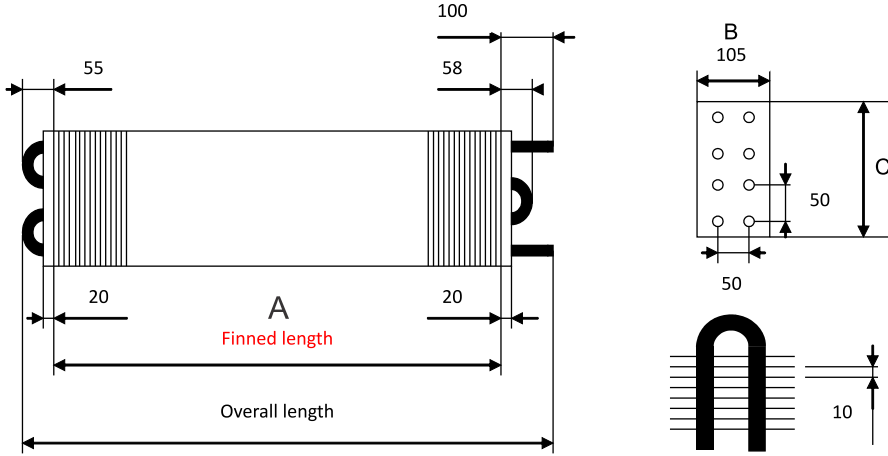
GCS & GRS SERİSİ / SERIES

STATİK EVAPARATÖR STATIC EVAPORATOR



www.gurcan.com.tr

Kod Cod	Model Model	Lamel Aralığı Fin Spacing	Kapasite Capacity		Isı Transfer Alanı Heat Transfer Area m ²	Boyutlar Dimensions			Bağlantılar Connection	
			Watt	Kcal/h		A mm	B mm	C mm	Giriş Inlet mm	Çıkış Outlet mm
GCS 600	L.A600 S.EVAP 2.8.50K	10 mm	310	267	2.49	600	105	200	5/8"	5/8"
GCS 800	L.A800 S.EVAP 2.8.50K	10 mm	378	325	3.24	800	105	200	5/8"	5/8"
GCS 1000	L.A1000 S.EVAP 2.8.50K	10 mm	445	383	4.05	1000	105	200	5/8"	5/8"
GCS 1200	L.A1200 S.EVAP 2.8.50K	10 mm	483	415	4.85	1200	105	200	5/8"	5/8"
GCS 1500	L.A1500 S.EVAP 2.8.50K	10 mm	627	539	6.06	1500	105	200	5/8"	5/8"
GCS 1600	L.A1600 S.EVAP 2.8.50K	10 mm	665	572	6.50	1600	105	200	5/8"	5/8"
GCS 1700	L.A1700 S.EVAP 2.8.50K	10 mm	706	607	6.87	1700	105	200	5/8"	5/8"
GCS 2000	L.A2000 S.EVAP 2.8.50K	10 mm	857	737	8.09	2000	105	200	5/8"	5/8"
GCS 2300	L.A2300 S.EVAP 2.8.50K	10 mm	987	849	9.48	2300	105	200	5/8"	5/8"



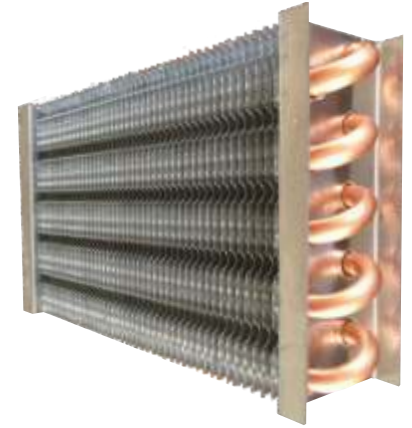
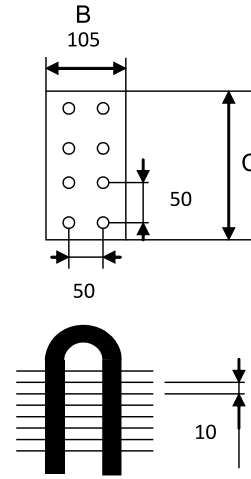
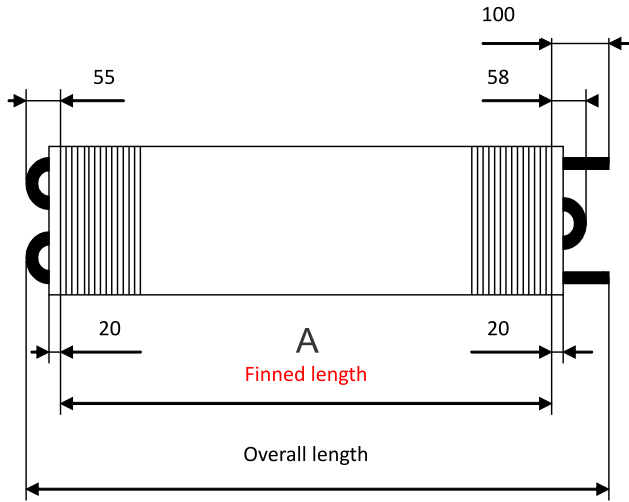
Kalıp Geometrisi Mould Geometry	Bakır Boru Copper Tube	Gövde Body
50 X 50	5/8"	Galvaniz Galvanize

GCS SERİSİ / SERIES



STATİK EVAPARATÖR / STATIC EVAPORATOR

Kod Cod	Model Model	Lamel Aralığı Fin Spacing	Kapasite Capacity		Isı Transfer Alanı Heat Transfer Area m ²	Boyutlar Dimensions			Bağlantılar Connection	
			Watt	Kcal/h		A	B	C	Giriş Inlet	Çıkış Outlet
						mm	mm	mm	mm	mm
GCS 60056	L.A600 S.EVAP2.8.56K	10 mm	334	287	2.68	600	100	224	5/8"	5/8"
GCS 80056	L.A800 S.EVAP2.8.56K	10 mm	408	350	3.48	800	100	224	5/8"	5/8"
GCS 100056	L.A1000 S.EVAP2.8.56K	10 mm	479	412	4.35	1000	100	224	5/8"	5/8"
GCS 120056	L.A1200 S.EVAP2.8.56K	10 mm	520	447	5.21	1200	100	224	5/8"	5/8"
GCS 150056	L.A1500 S.EVAP2.8.56K	10 mm	675	580	6.52	1500	100	224	5/8"	5/8"
GCS 160056	L.A1600 S.EVAP2.8.56K	10 mm	716	615	6.95	1600	100	224	5/8"	5/8"
GCS 170056	L.A1700 S.EVAP2.8.56K	10 mm	760	653	7.39	1700	100	224	5/8"	5/8"
GCS 200056	L.A2000 S.EVAP2.8.56K	10 mm	922	793	8.69	2000	100	224	5/8"	5/8"
GCS 230056	L.A2300 S.EVAP2.8.56K	10 mm	1062	913	10.20	2300	100	224	5/8"	5/8"



Kalıp Geometrisi Mould Geometry	Bakır Boru Copper Tube	Gövde Body
48 X 56	5/8"	Galvaniz Galvanize

GCS SERİSİ / SERIES



MARKET SOĞUTUCULAR (REYON) GRAVITY COOLERS FOR SHOP WINDOWS

Kod Code	Model Model	Lamel Aralığı Fin Spacing	Kapasite Capacity		Isı Transfer Alanı Heat Transfer Area	Boyutlar Dimensions			Bağlantılar Connection	
			mm	Watt		Kcal/h	A	B	C	Giriş Inlet
		mm	Watt	Kcal/h	mm	mm	mm	mm	mm	
GCS 750.6.2	75 REYON 6 Lİ - 5/8	10	230	200	2,10	750	100	170	16	16
GCS 1000.6.2	100 REYON 6 Lİ - 5/8	10	340	290	3,00	1000	100	170	16	16
GCS 1200.6.2	120 REYON 6 Lİ - 5/8	10	400	340	3,60	1200	100	170	16	16
GCS 1500.6.2	150 REYON 6 Lİ - 5/8	10	510	440	4,60	1500	100	170	16	16
GCS 1700.6.2	170 REYON 6 Lİ - 5/8	10	620	530	5,60	1700	100	170	16	16
GCS 2000.6.2	200 REYON 6 Lİ - 5/8	10	695	600	6,30	2000	100	170	16	16
GCS 2200.6.2	220 REYON 6 Lİ - 5/8	10	760	650	6,90	2200	100	170	16	16
GCS 2500.6.2	250 REYON 6 Lİ - 5/8	10	870	750	7,90	2500	100	170	16	16
GCS 2700.6.2	270 REYON 6 Lİ - 5/8	10	950	815	8,60	2700	100	170	16	16
GCS 3000.6.2	300 REYON 6 Lİ - 5/8	10	1050	900	9,50	3000	100	170	16	16
GCS 750.8.2	75 REYON 8 Lİ - 5/8	10	310	265	2,8	750	100	224	16	16
GCS 1000.8.2	100 REYON 8 Lİ - 5/8	10	430	370	3,9	1000	100	224	16	16
GCS 1200.8.2	120 REYON 8 Lİ - 5/8	10	520	445	4,7	1200	100	224	16	16
GCS 1500.8.2	150 REYON 8 Lİ - 5/8	10	675	580	6,0	1500	100	224	16	16
GCS 1700.8.2	170 REYON 8 Lİ - 5/8	10	760	655	6,9	1700	100	224	16	16
GCS 2000.8.2	200 REYON 8 Lİ - 5/8	10	902	775	8,2	2000	100	224	16	16
GCS 2200.8.2	220 REYON 8 Lİ - 5/8	10	1035	890	9,0	2200	100	224	16	16
GCS 2500.8.2	250 REYON 8 Lİ - 5/8	10	1145	985	10,4	2500	100	224	16	16
GCS 2700.8.2	270 REYON 8 Lİ - 5/8	10	1235	1060	11,2	2700	100	224	16	16
GCS 3000.8.2	300 REYON 8 Lİ - 5/8	10	1390	1020	12,6	3000	100	224	16	16
GCS 750.10.2	75 REYON 10 LU - 5/8	10	390	330	3,5	750	100	280	16	16
GCS 1000.10.2	100 REYON 10 LU - 5/8	10	530	455	4,8	1000	100	280	16	16
GCS 1200.10.2	120 REYON 10 LU - 5/8	10	690	595	6,0	1200	100	280	16	16
GCS 1500.10.2	150 REYON 10 LU - 5/8	10	840	720	7,6	1500	100	280	16	16
GCS 1700.10.2	170 REYON 10 LU - 5/8	10	950	820	8,6	1700	100	280	16	16
GCS 2000.10.2	200 REYON 10 LU - 5/8	10	1135	980	10,3	2000	100	280	16	16
GCS 2200.10.2	220 REYON 10 LU - 5/8	10	1245	1070	11,3	2200	100	280	16	16
GCS 2500.10.2	250 REYON 10 LU - 5/8	10	1430	1230	13,0	2500	100	280	16	16
GCS 2700.10.2	270 REYON 10 LU - 5/8	10	1550	1340	14,1	2700	100	280	16	16
GCS 3000.10.2	300 REYON 10 LU - 5/8	10	1730	1485	15,7	3000	100	280	16	16
GCS 750.12.2	75 REYON 12 Lİ - 5/8	10	465	400	4,2	750	100	336	16	16
GCS 1000.12.2	100 REYON 12 Lİ - 5/8	10	640	550	5,8	1000	100	336	16	16
GCS 1200.12.2	120 REYON 12 Lİ - 5/8	10	785	675	7,1	1200	100	336	16	16
GCS 1500.12.2	150 REYON 12 Lİ - 5/8	10	1000	860	9,1	1500	100	336	16	16
GCS 1700.12.2	170 REYON 12 Lİ - 5/8	10	1145	985	10,4	1700	100	336	16	16
GCS 2000.12.2	200 REYON 12 Lİ - 5/8	10	1355	1165	12,3	2000	100	336	16	16
GCS 2200.12.2	220 REYON 12 Lİ - 5/8	10	1500	1300	13,6	2200	100	336	16	16
GCS 2500.12.2	250 REYON 12 Lİ - 5/8	10	1720	1480	15,6	2500	100	336	16	16
GCS 2700.12.2	270 REYON 12 Lİ - 5/8	10	1860	1600	16,9	2700	100	336	16	16
GCS 3000.12.2	300 REYON 12 Lİ - 5/8	10	2070	1780	18,8	3000	100	336	16	16

Kalıp Geometrisi Mould Geometry	Bakır Boru Copper Tube	Gövde Body
48 X 56	5/8"	Galvaniz Galvanize

